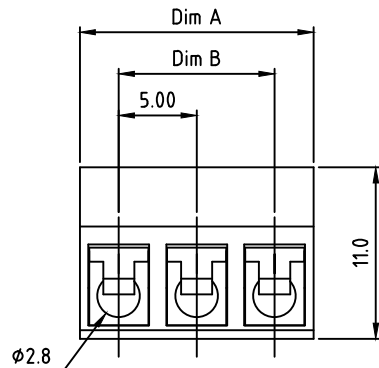
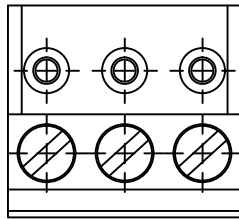


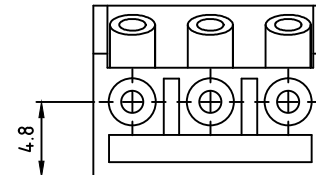
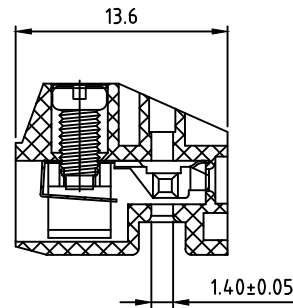
SPECIFICATIONS

Current Rating: 15 Amps/15 Amps/12 Amps
 Voltage Rating: 300V/300V/300V
 Dielectric withstanding: 1.6KV/2.5KV/2.5KV
 Operating Temperature: -40°C~+115°C
 Contact Material: PhBz (CuSn)
 Terminal Screw: Steel Zinc Plated "-" Slot Type
 Insulator Material: Thermoplastic, UL 94V-0
 Wire Range: 0.34-1.5mm²/0.34-1.5mm²
 Wire Strip Length: 5-6mm
 Solid/Stranded Wire: 14-22/14-22 AWG
 Torque: 3.5Lb-In/0.4Nm/0.4Nm
 Clamp: Brass(CuZn) Ni plated
 Screw: M2.6

Safety Approval:   



N=Number of contacts



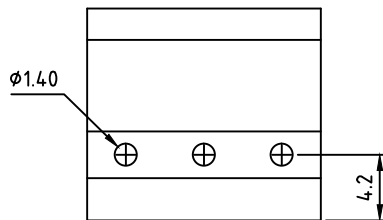
RPGS- xx J A x A-FG

No. OF POLES
 02: 2 POLES
 :
 24: 24 POLES

FG: RoHS Compliant
PB<40000ppm

COLOR

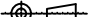
- J: Black(RAL9005)
- B: Red(RAL3001/D)
- C: Orange(RAL2011/P)
- D: Yellow(RAL1018/A)
- E: Green(RAL6018/T)
- F: Blue(RAL5015/A)
- H: Grey(RAL7035/D)



Dimensions

A	Nx5.0
B	(N-1)x5.0

Poles	Tolerance
2P-6P	±0.10
7P-12P	±0.15
13P-18P	±0.20
19P-24P	±0.30

GENERAL TOLERANCE UNLESS OTHERWISE SPECIFIED	
XXX. ± X	.XX ± 0.10
XX. ± X	.XXX ± X
X. ± 0.50	X.' ± 1'
.X ± 0.30	.X' ± 1'
REV. A	DRAWN
DATE 10/20/08	CHECKED
SCALE As shown	APPROVED
UNIT mm	

APTOS TECHNOLOGY

RPGS Series
 5.00 mm Removable Term. Block
 PRODUCT NO. RPGS-XXJAXA-FG
 FILE NAME: RPGS-XXJAXA-FG LF APD.DWG

APTOS Technology CONFIDENTIAL
 This document, and all information it contains, are the confidential, proprietary property of APTOS Technology. Disclosure, duplication or distribution of this document, or any information it contains, in whole or part, without prior written permission from APTOS Technology is strictly prohibited